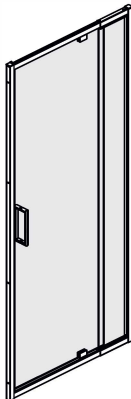
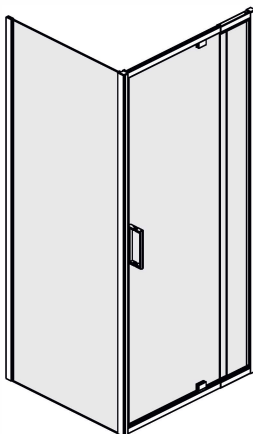


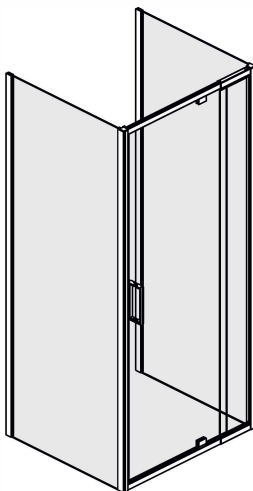
Berkel 48P27
Berkel 48P04
Berkel 48P12
Berkel 48P13
Berkel 48P05
Berkel 48P30



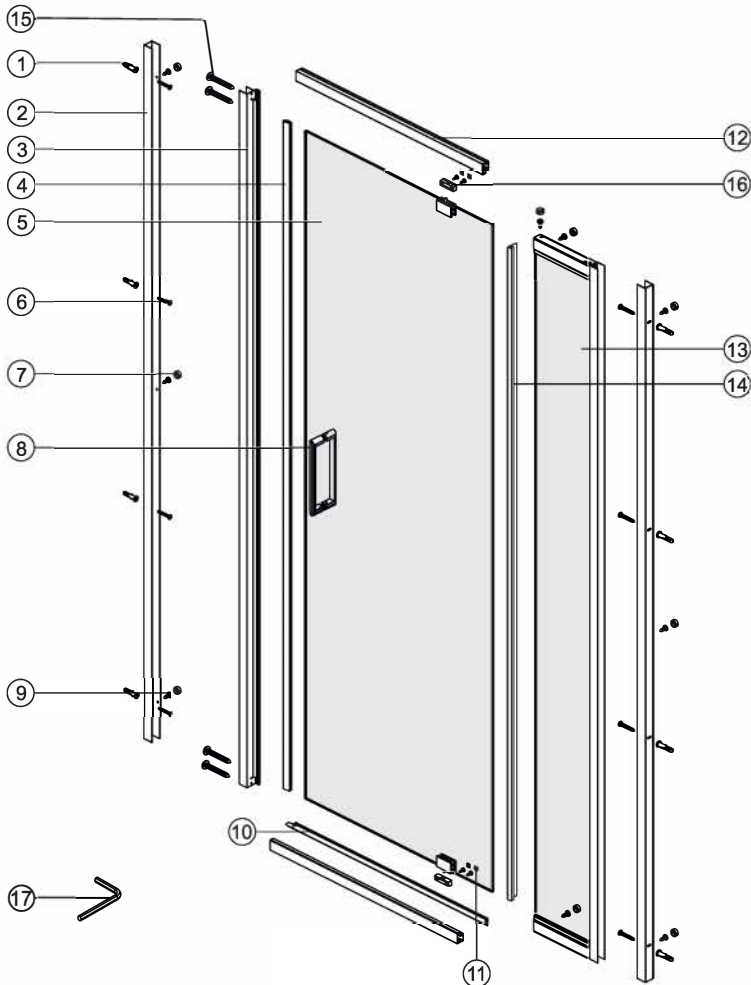
Berkel 48P02
Berkel 48P28
Berkel 48P29
Berkel 48P03
Berkel 48P19
Berkel 48P20
Berkel 48P18
Berkel 48P17
Berkel 48P22
Berkel 48P14
Berkel 48P15
Berkel 48P16
Berkel 48P06
Berkel 48P07
Berkel 48P10
Berkel 48P32
Berkel 48P33
Berkel 48P34



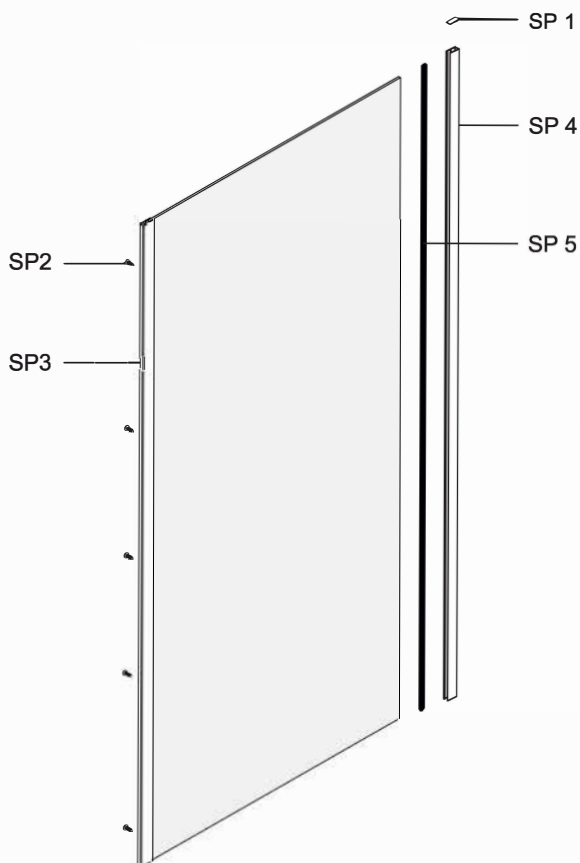
Berkel 48P25
Berkel 48P21
Berkel 48P26



**Detailization / Details / В комплект входит
Berkel 48P**

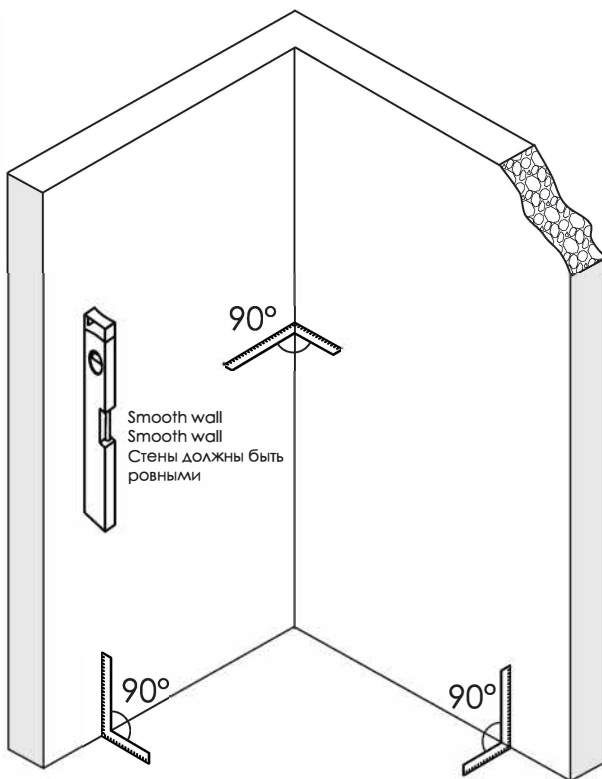


| № | REF. STÜCK. UNT. | Description/Beschreibung/Наименование | № | REF. STÜCK. UNT. | Description/Beschreibung/Наименование |
|---|------------------------|---|----|------------------------|--|
| 1 | 8 | Wall anchor / Dübel / Дюбель | 10 | 1 | Bottom gasket / Bodendichtung / Уплотнитель |
| 2 | 2 | Wall profile / Wand-Profil / Пристенный профиль | 11 | 4 | Screw cap / Schraubverschluss / Декоративная заглушка самореза |
| 3 | 1 | Magnet closing / Magnetische Silikondichtung Магнитный силиконовый уплотнитель | 12 | 2 | Rail / Führungsprofil / Направляющий профиль |
| 4 | 1 | Side gasket / Silikondichtung / Силиконовый уплотнитель | 13 | 1 | Fixed glass / Feste Glas / Фиксированное стекло |
| 5 | 1 | Door glass / Türglas / Стеклопанель | 14 | 1 | Side gasket / Silikondichtung / Силиконовый уплотнитель |
| 6 | 8 | Screw ST4x40 / Linsenblechschraube ST4x40 Саморез ST4x40 | 15 | 4 | Screw ST4x30 / Linsenblechschraube ST4x30 / Саморез ST4x30 |
| 7 | 9 | Screw cap / Schraubverschluss / Декоративная заглушка самореза | 16 | 2 | Pivot base / Pivot Basis / Распашной механизм |
| 8 | 1 | Handle / Türgriffe / Ручка | 17 | 1 | Key kit / Schlüsselsatz / Набор ключей |
| 9 | 13 | Screw ST4x10 / Linsenblechschraube ST4x10 / Саморез ST4x10 | | | |



| № | pcs Stück шт. | Description/Beschreibung/Наименование |
|----------|------------------------------|---|
| SP1 | 1 | Decorative cap / Dekorative Blindstopfen / Декоративная заглушка |
| SP2 | 5 | Screw ST4x10 / Linsenblechschraube ST4x10 / Саморез ST4x10 |
| SP3 | 1 | Return panel assembling / Rückwandmontage / Профиль фиксированного стекла |
| SP 4 | 1 | Wall profile / Wand-Profil / Пристенный профиль |
| SP 5 | 1 | Squeeze gasket / Klemmpprofil / Зажимной уплотнитель |

Preparation / Vorbereitung / Подготовка



Tools and materials required / Werkzeuge und Materialien benötigt / Необходимые инструменты и материалы (в комплект не входят)



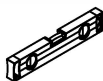
Drill
Bohrmaschine
Дрель



Screws
Schrauben
Саморезы



Screwdriver
Schraubendreher
Отвертка



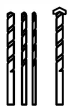
Level
Level
Уровень



Precision knife
Schreibwaren Messer
Канцелярский нож



Silicone
Silikon
Силикон



Drill bits: 1/8", 3/16", 1/4"
*Masonry drill bits
Bohrer: 1/8", 3/16", 1/4"
*für die Steinmauer
Сверла: 1/8", 3/16", 1/4"

*Сверла для каменной стены



Measuring tape
Maßband
Рулетка



Set square
Anschlagwinkel
Угольник



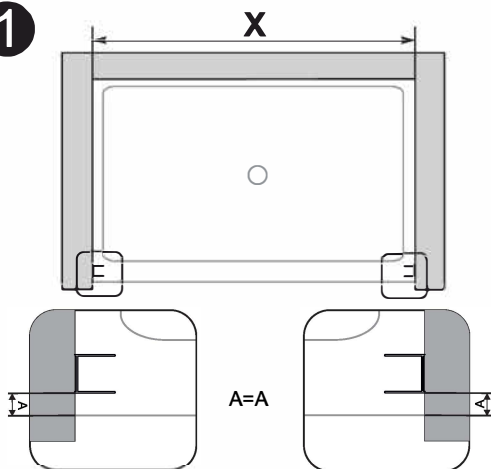
Pencil
Bleistift
Карандаш



Mallet
Mallet
Деревянный молоток

Installation / Montage / Монтаж
 Berkel 48P27, 48P04, 48P12, 48P13, 48P05, 48P30

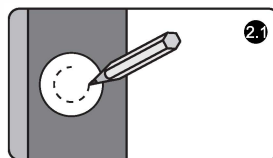
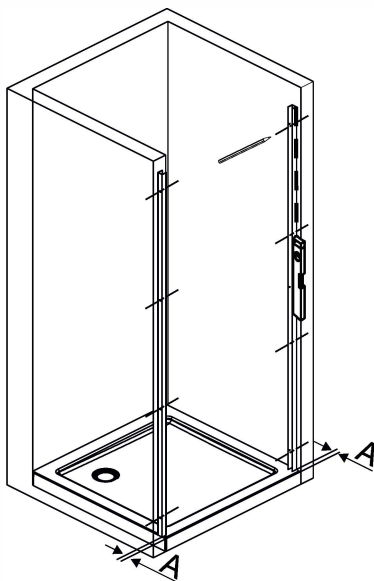
1



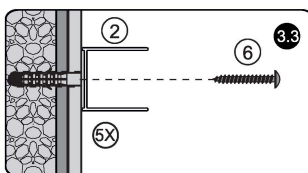
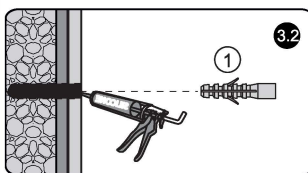
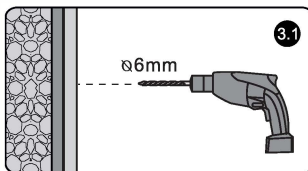
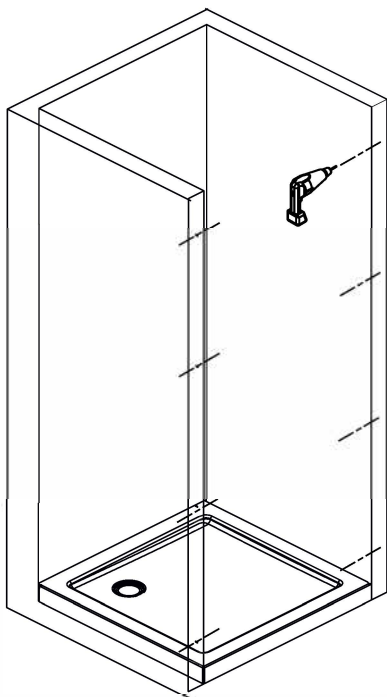
Berkel 48P
 Video installation guide
 Video-Montageanleitung
 Видеоинструкция по монтажу

| | X, mm |
|------|-----------|
| 800 | 750-850 |
| 900 | 850-950 |
| 1000 | 950-1050 |
| 1100 | 1050-1150 |
| 1200 | 1150-1250 |
| 1300 | 1250-1350 |

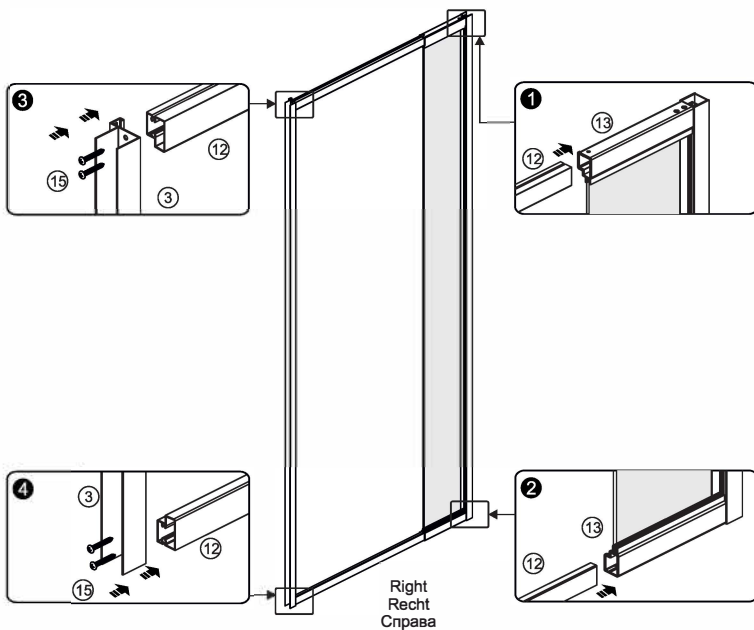
2



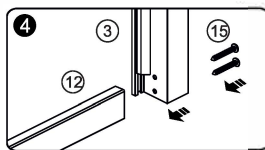
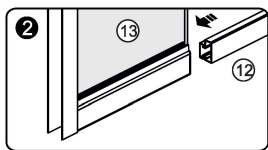
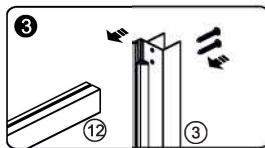
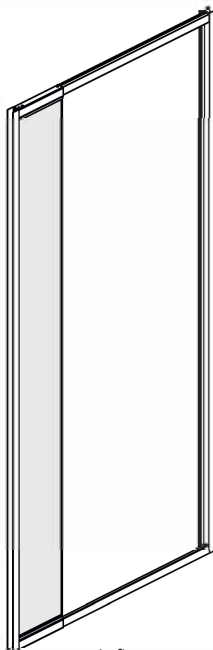
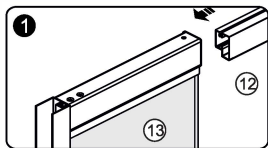
3



4

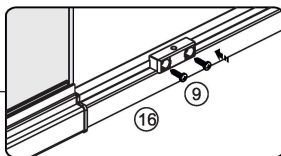
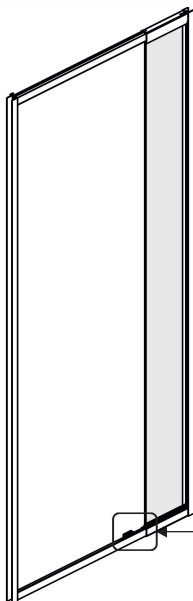


5

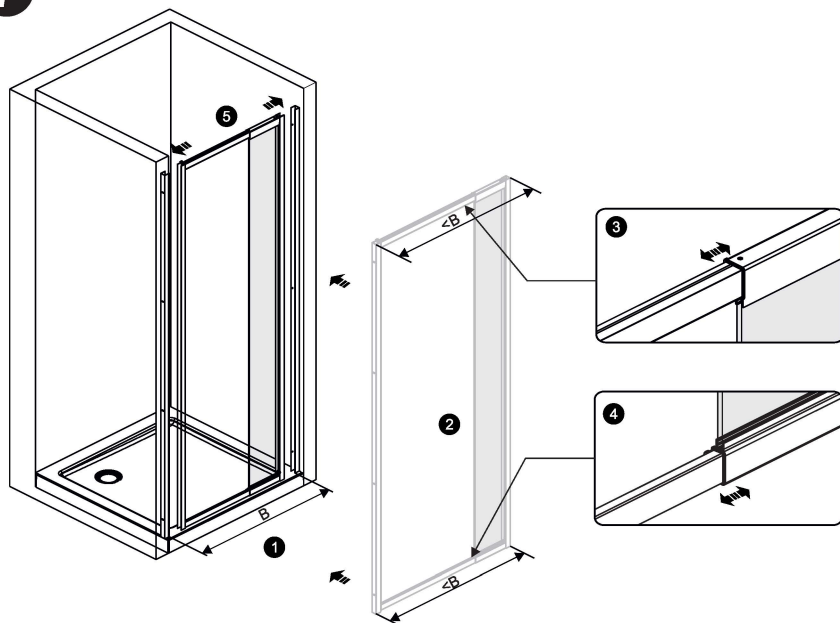


Left
Links
Слева

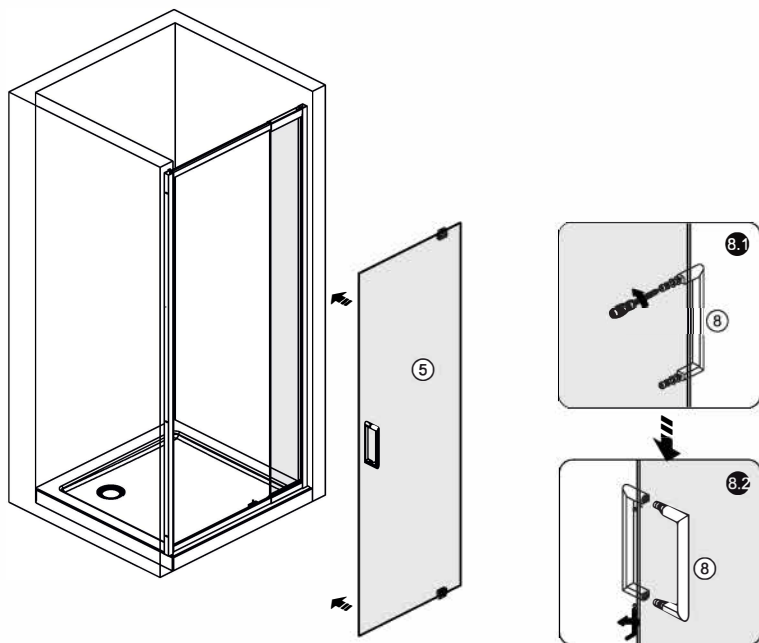
6



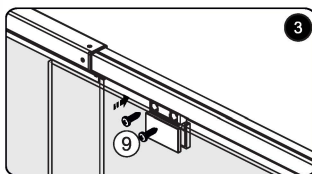
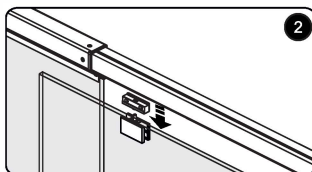
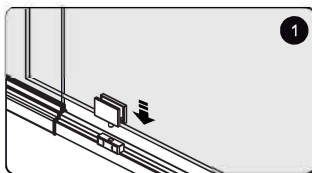
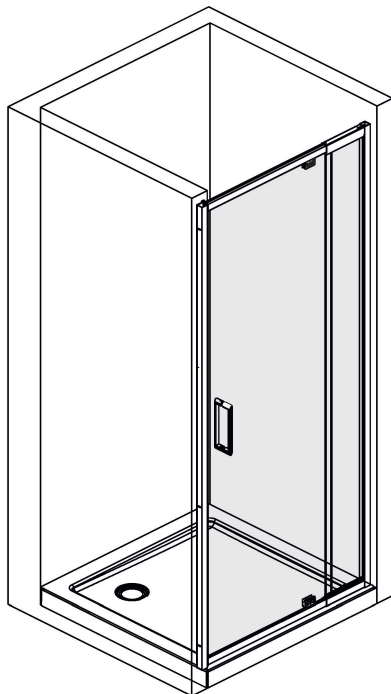
7



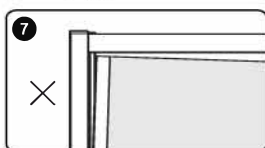
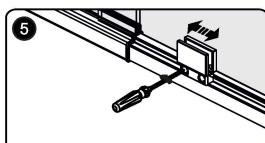
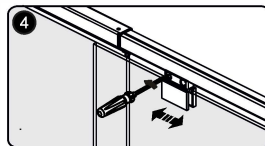
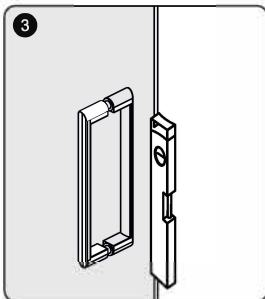
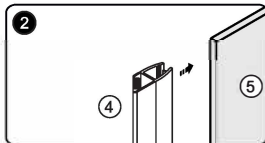
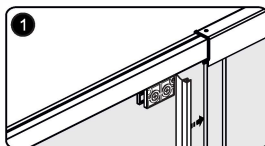
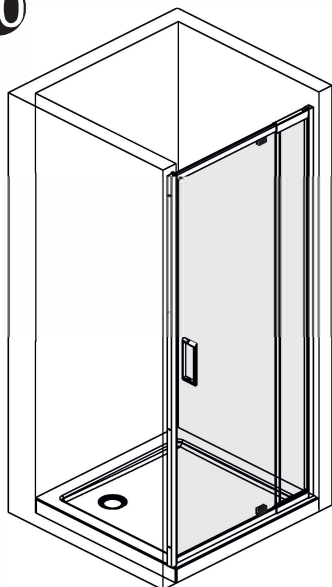
8



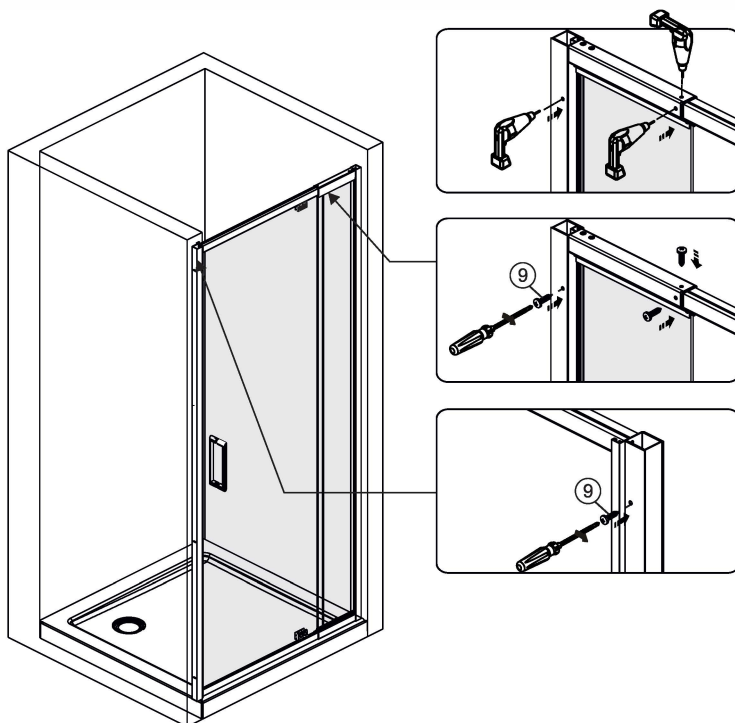
9



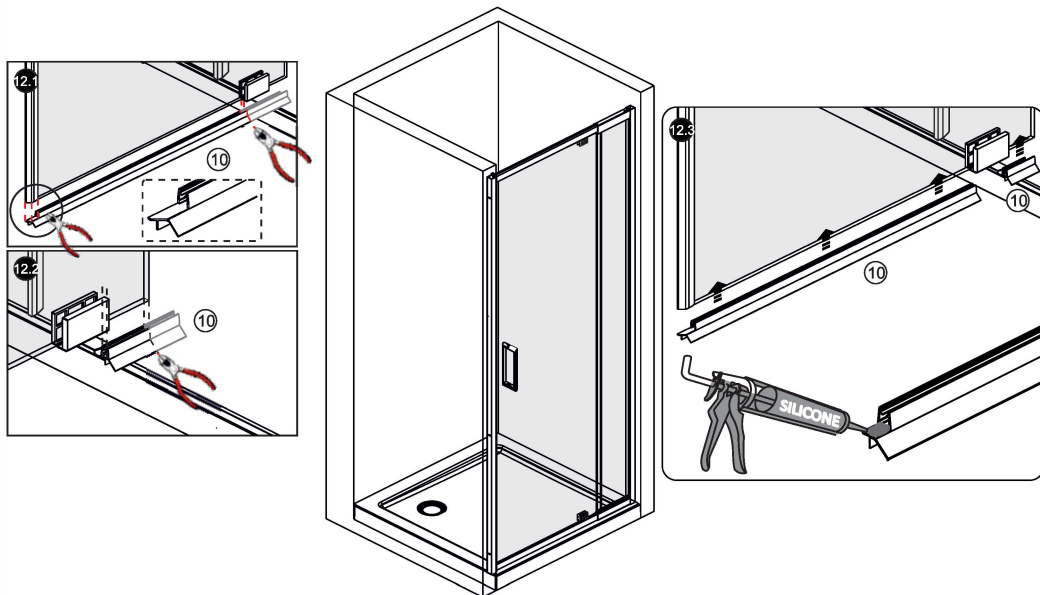
10



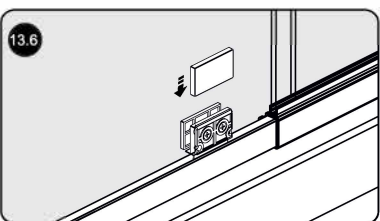
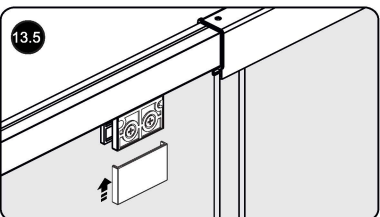
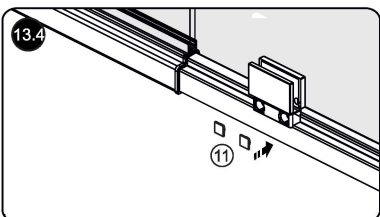
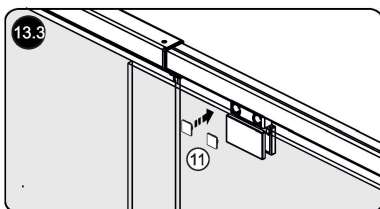
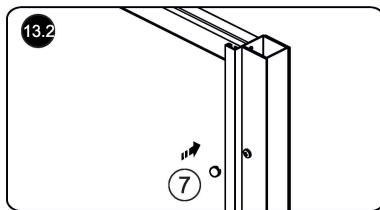
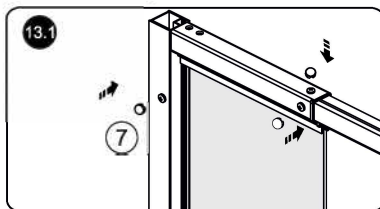
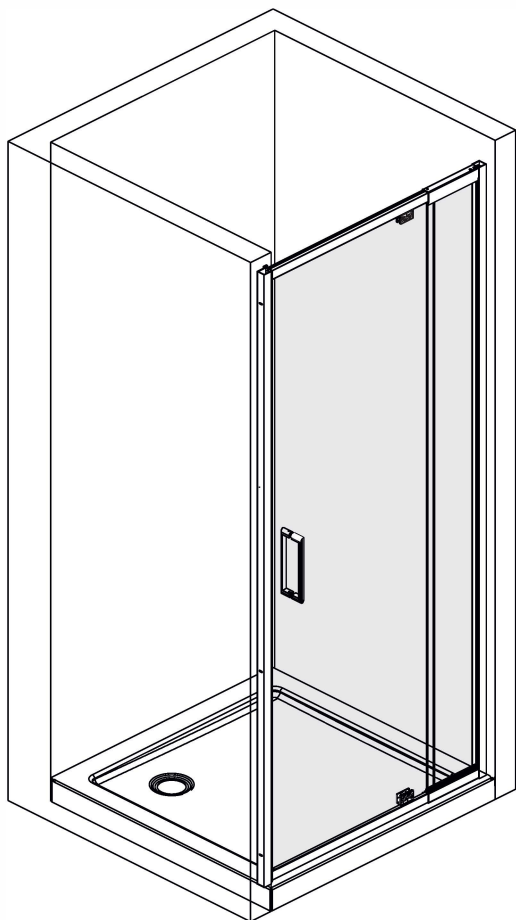
11



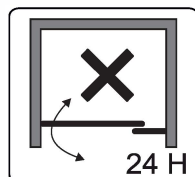
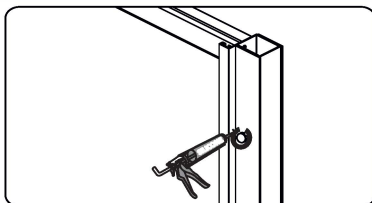
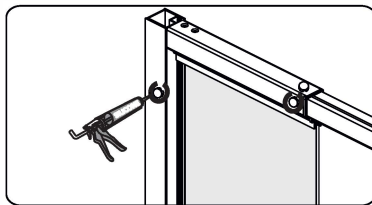
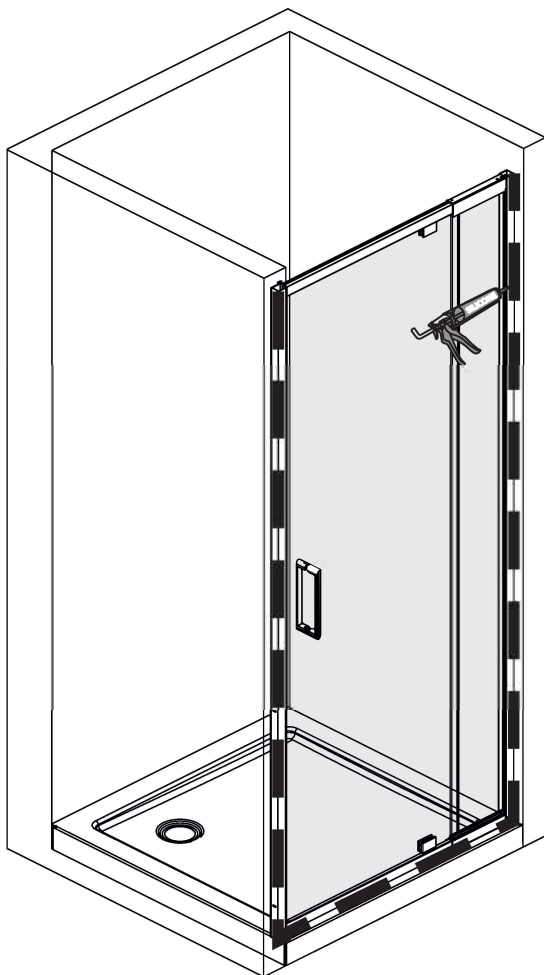
12



13



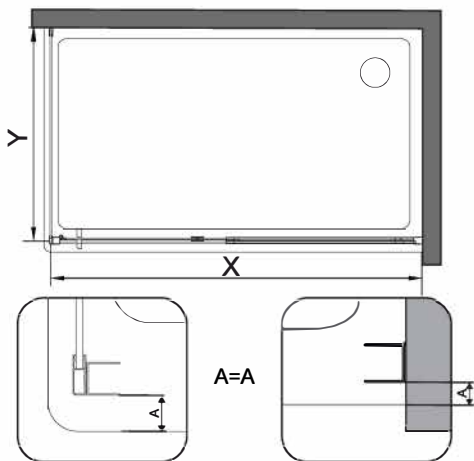
14



Installation / Montage / Монтаж

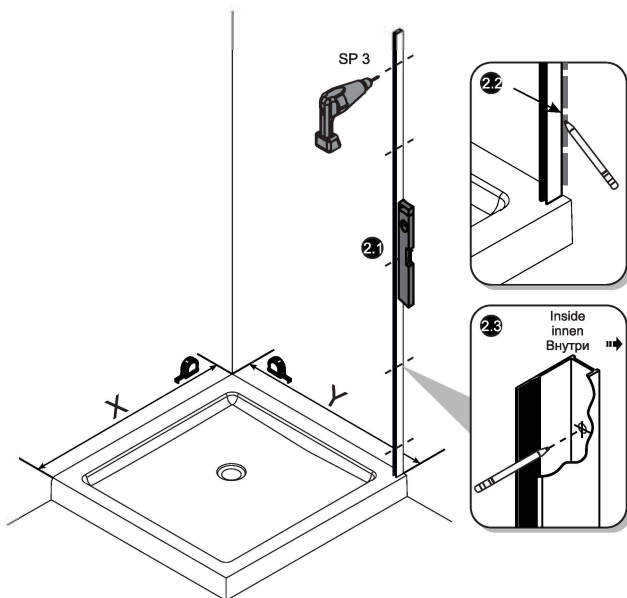
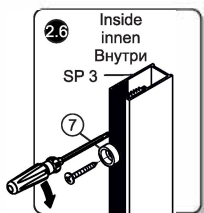
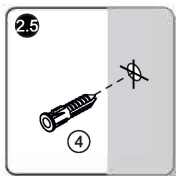
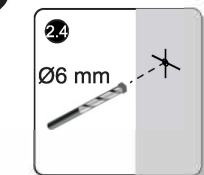
Berkei 48P02, 48P28, 48P29, 48P03, 48P19, 48P20, 48P18, 48P17, 48P22, 48P14, 48P15, 48P16, 48P06, 48P07, 48P10, 48P32, 48P33, 48P34

1



| | X, mm | Y, mm |
|-----------|-----------|---------|
| 800x800 | 756-856 | 780-792 |
| 800x900 | 756-856 | 880-892 |
| 800x1000 | 756-856 | 980-992 |
| 900x800 | 856-956 | 780-792 |
| 900x900 | 856-956 | 880-892 |
| 900x1000 | 856-956 | 980-992 |
| 1000x800 | 956-1056 | 780-792 |
| 1000x900 | 956-1056 | 880-892 |
| 1000x1000 | 956-1056 | 980-992 |
| 1100x800 | 1056-1156 | 780-792 |
| 1100x900 | 1056-1156 | 880-892 |
| 1100x1000 | 1056-1156 | 980-992 |
| 1200x800 | 1156-1256 | 780-792 |
| 1200x900 | 1156-1256 | 880-892 |
| 1200x1000 | 1156-1256 | 980-992 |
| 1300x800 | 1256-1356 | 780-792 |
| 1300x900 | 1256-1356 | 880-892 |
| 1300x1000 | 1256-1356 | 980-992 |

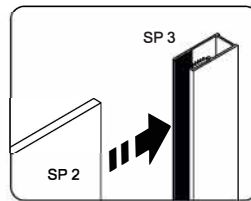
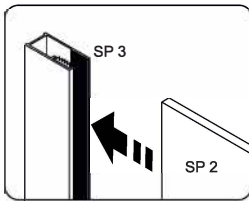
2



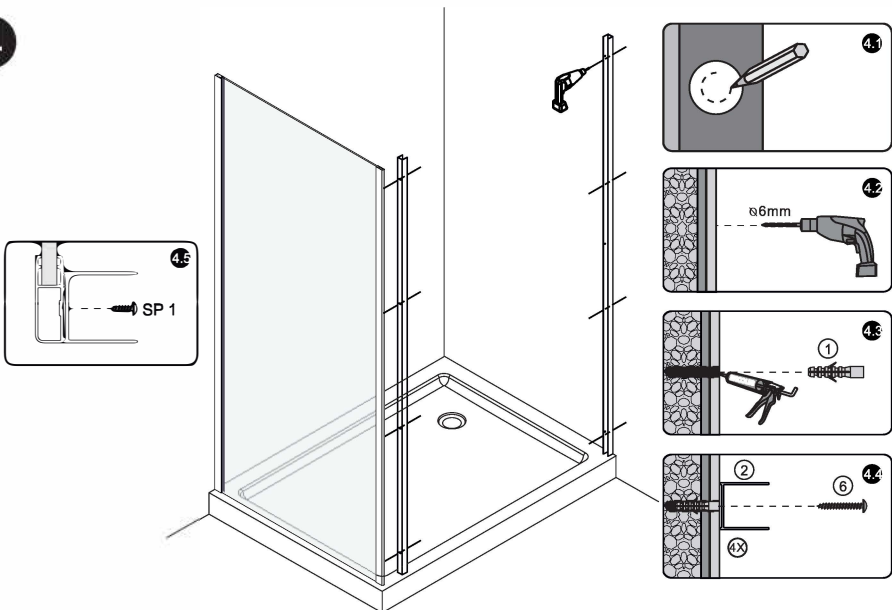
Installation / Montage / Монтаж

Berkei 48P02, 48P28, 48P29, 48P03, 48P19, 48P20, 48P18, 48P17, 48P22,
48P14, 48P15, 48P16, 48P06, 48P07, 48P10, 48P32, 48P33, 48P34

3



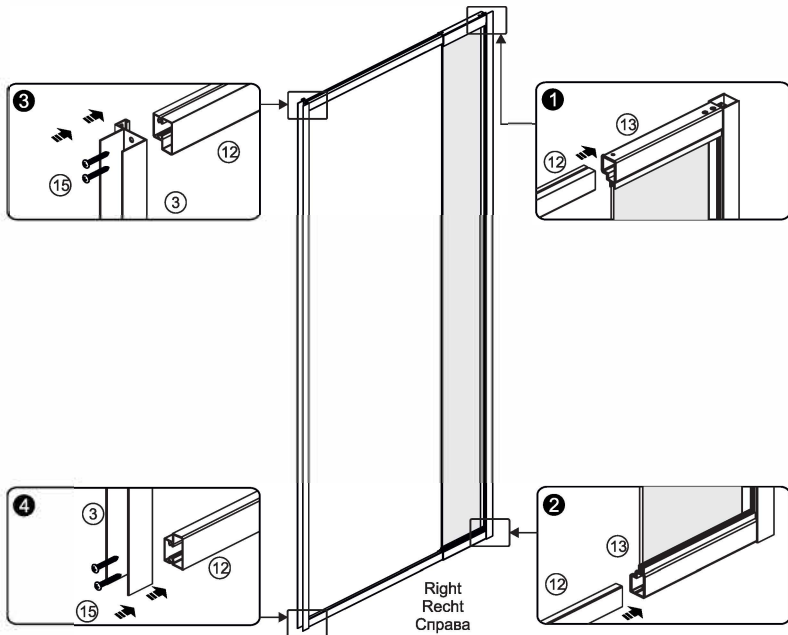
4



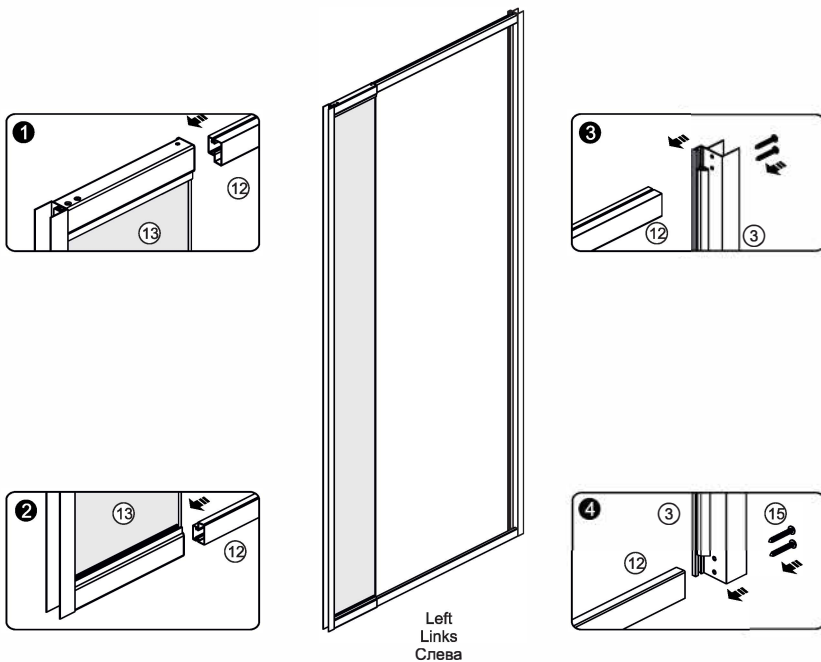
Installation / Montage / Монтаж

**Berkei 48P02, 48P28, 48P29, 48P03, 48P19, 48P20, 48P18, 48P17, 48P22,
48P14, 48P15, 48P16, 48P06, 48P07, 48P10, 48P32, 48P33, 48P34**

5



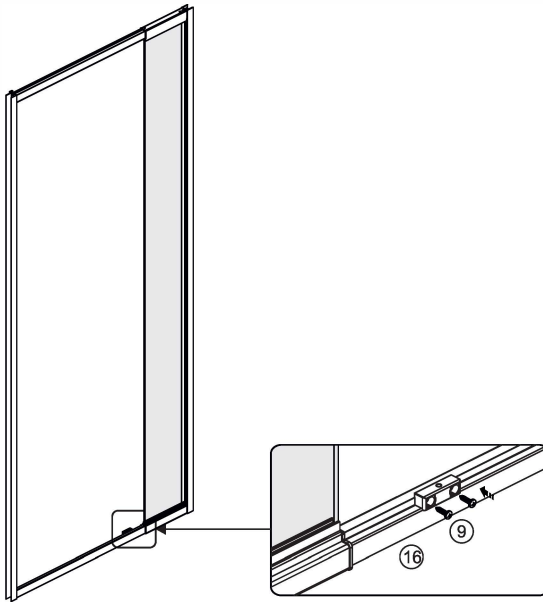
6



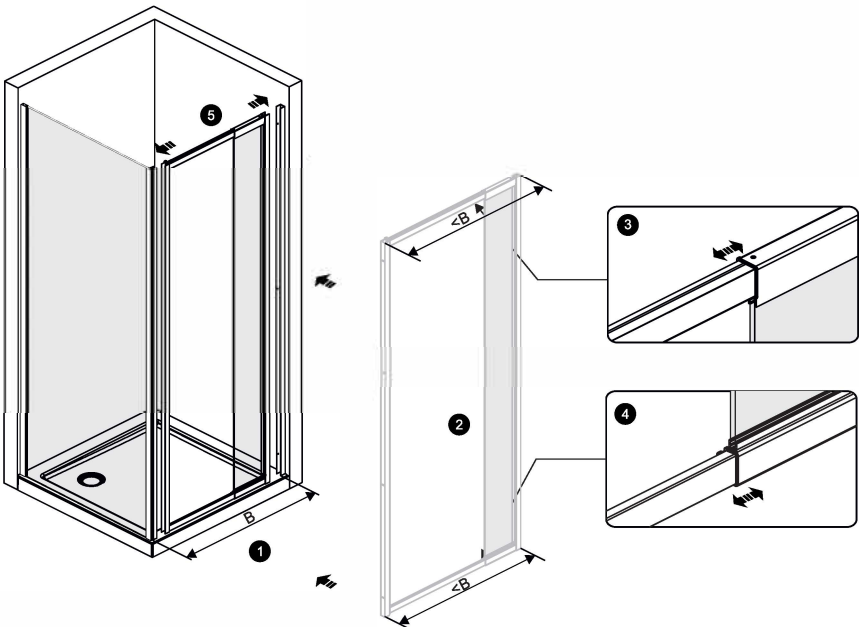
Installation / Montage / Монтаж

Berkel 48P02, 48P28, 48P29, 48P03, 48P19, 48P20, 48P18, 48P17, 48P22,
48P14, 48P15, 48P16, 48P06, 48P07, 48P10, 48P32, 48P33, 48P34

7



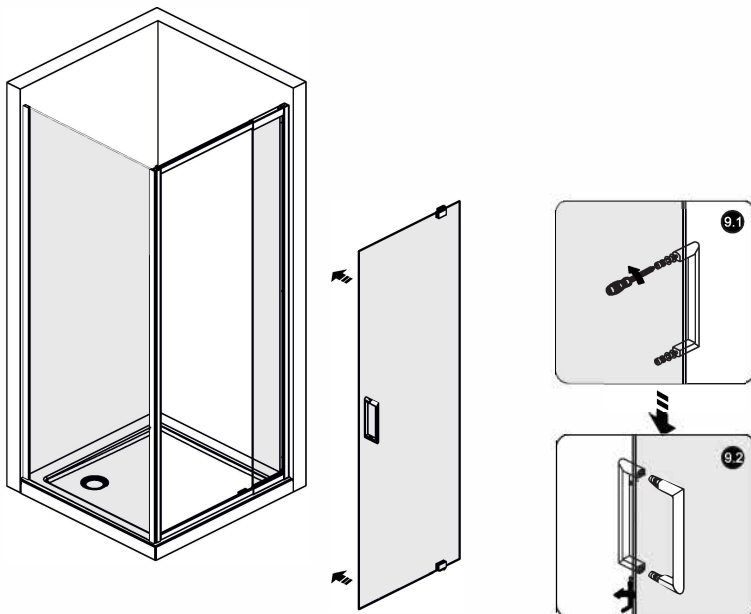
8



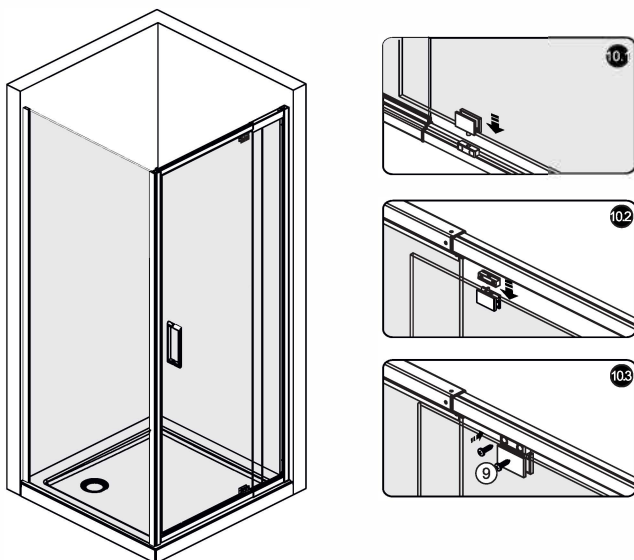
Installation / Montage / Монтаж

**Berkel 48P02, 48P28, 48P29, 48P03, 48P19, 48P20, 48P18, 48P17, 48P22,
48P14, 48P15, 48P16, 48P06, 48P07, 48P10, 48P32, 48P33, 48P34**

9



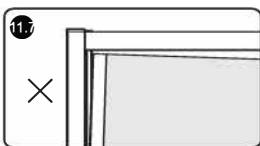
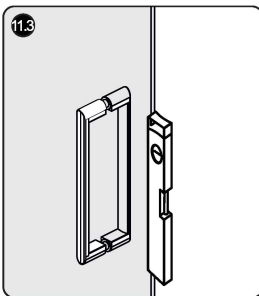
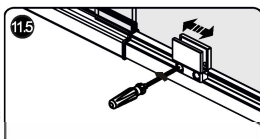
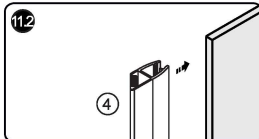
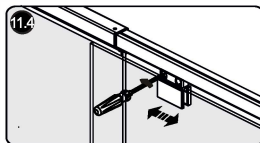
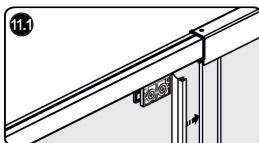
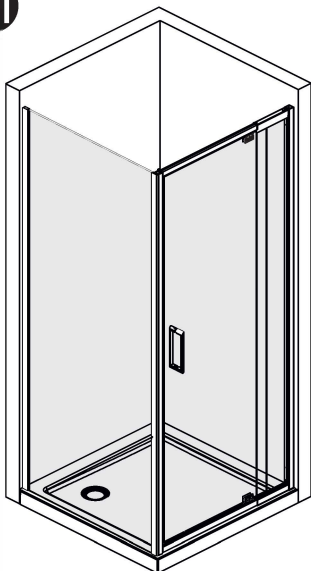
10



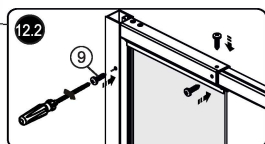
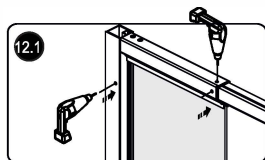
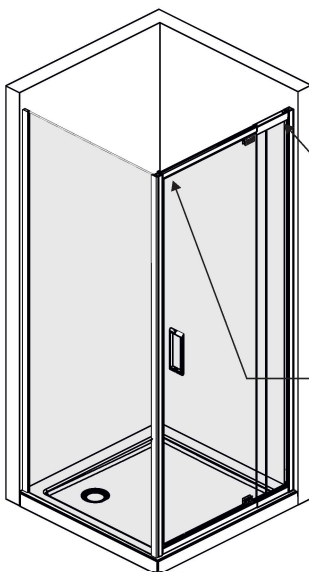
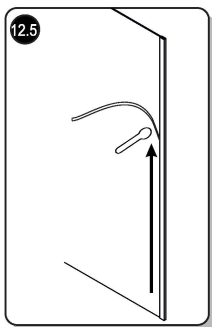
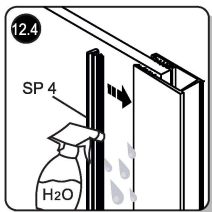
Installation / Montage / Монтаж

Berkel 48P02, 48P28, 48P29, 48P03, 48P19, 48P20, 48P18, 48P17, 48P22,
48P14, 48P15, 48P16, 48P06, 48P07, 48P10, 48P32, 48P33, 48P34

11



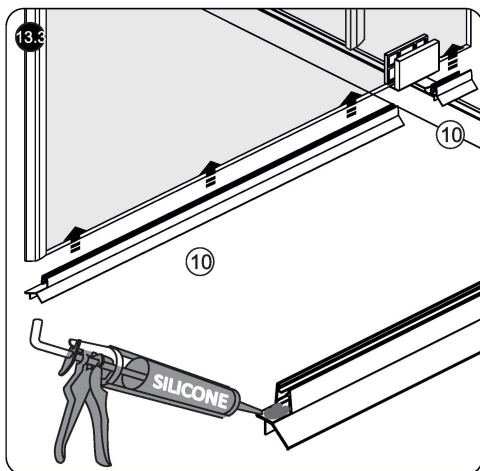
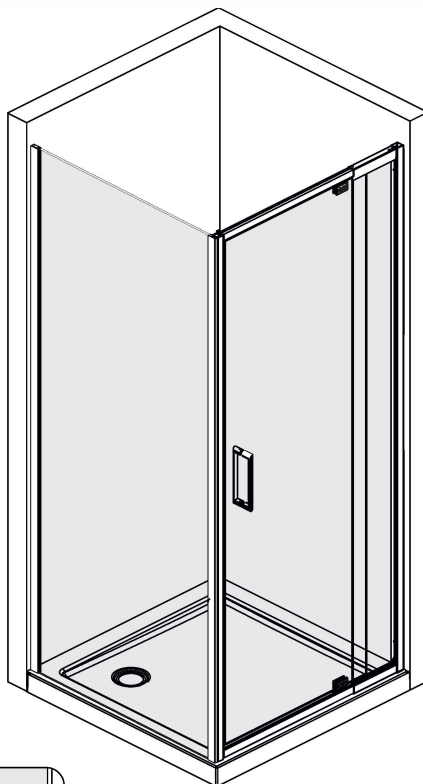
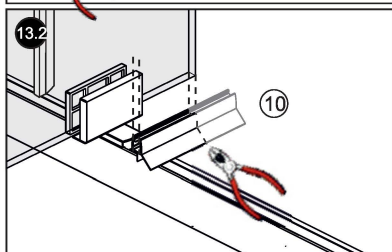
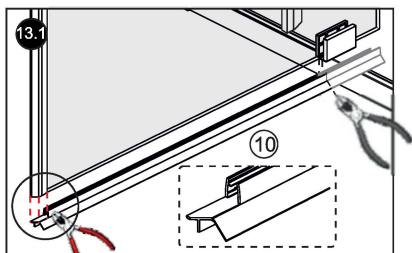
12



Installation / Montage / Монтаж

Berkel 48P02, 48P28, 48P29, 48P03, 48P19, 48P20, 48P18, 48P17, 48P22,
48P14, 48P15, 48P16, 48P06, 48P07, 48P10, 48P32, 48P33, 48P34

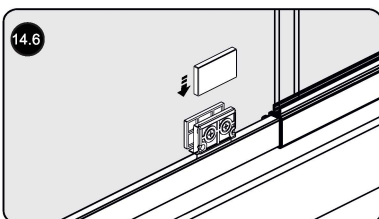
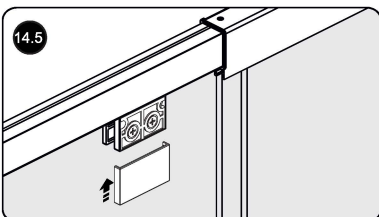
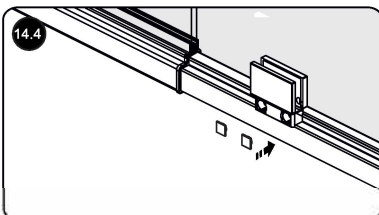
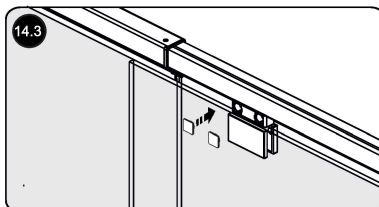
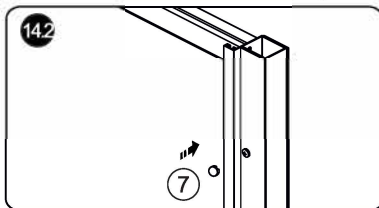
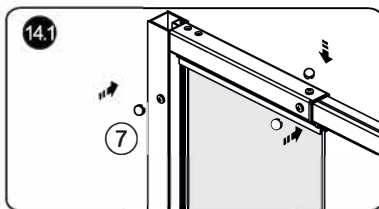
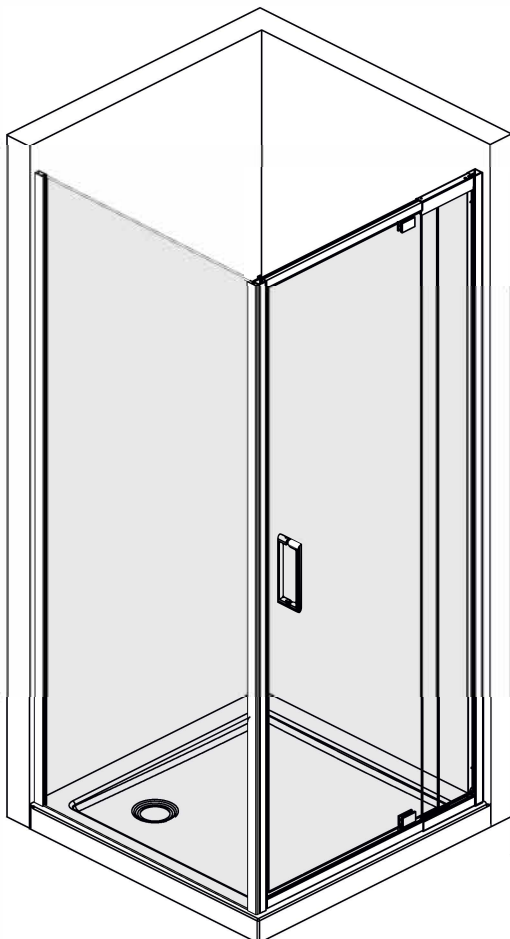
13



Installation / Montage / Монтаж

Berkel 48P02, 48P28, 48P29, 48P03, 48P19, 48P20, 48P18, 48P17, 48P22,
48P14, 48P15, 48P16, 48P06, 48P07, 48P10, 48P32, 48P33, 48P34

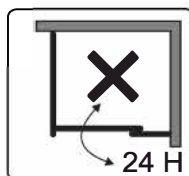
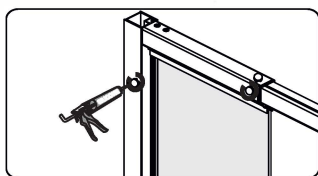
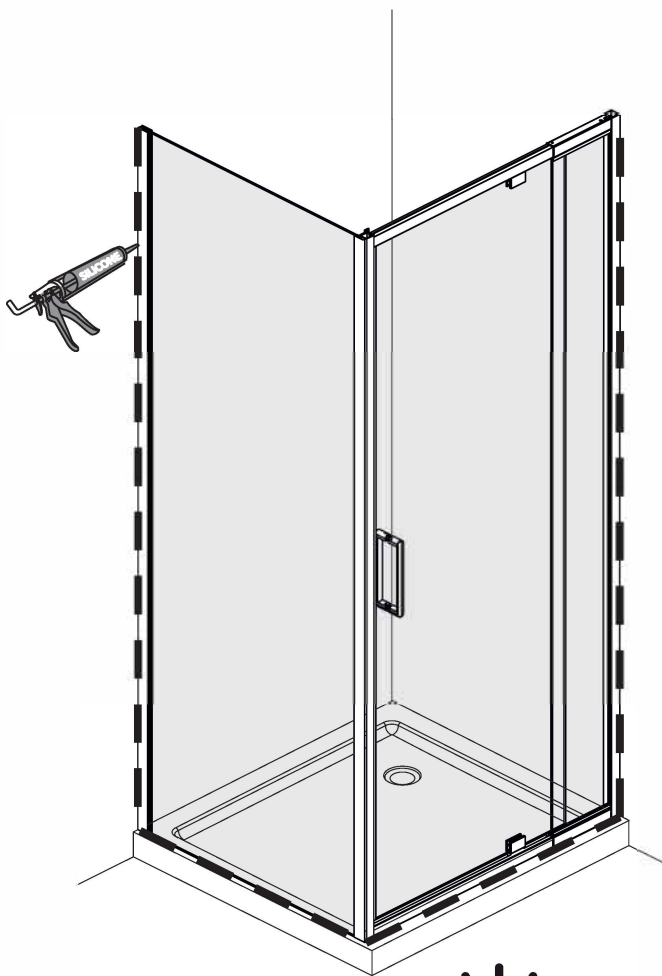
14



Installation / Montage / Монтаж

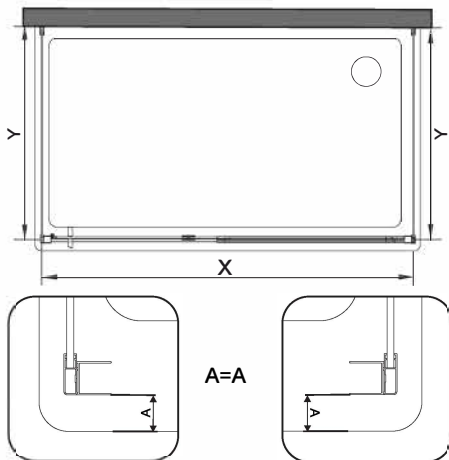
Berkel 48P02, 48P28, 48P29, 48P03, 48P19, 48P20, 48P18, 48P17, 48P22,
48P14, 48P15, 48P16, 48P06, 48P07, 48P10, 48P32, 48P33, 48P34

15



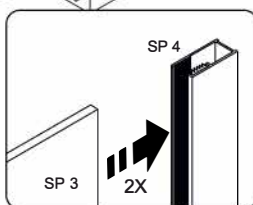
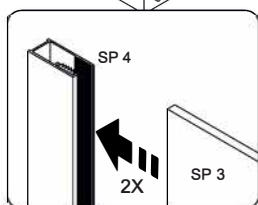
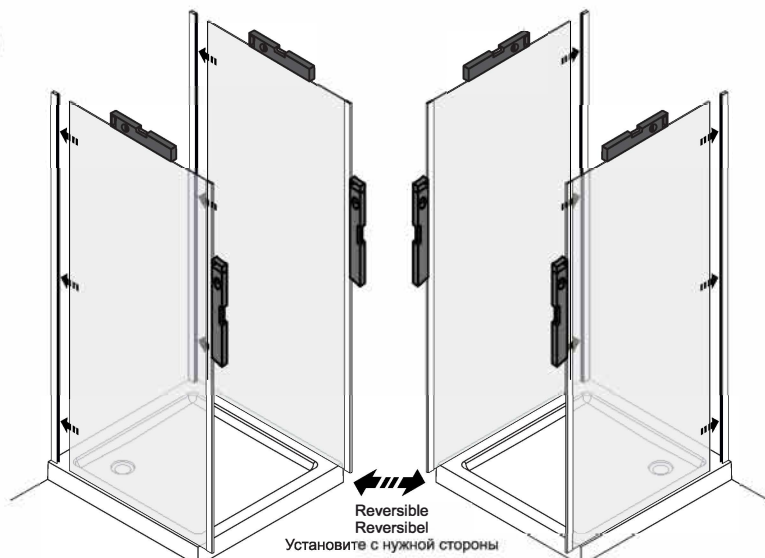
Installation / Montage / Монтаж
 Berkel 48P25, Berkel 48P21, Berkel 48P26

1

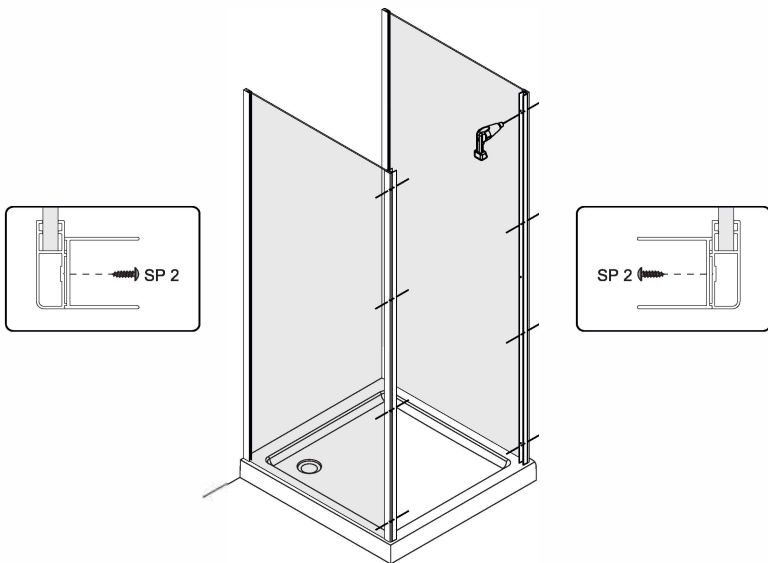


| | X, mm | Y, mm |
|-----------|-----------|---------|
| 1200x800 | 1161-1261 | 780-792 |
| 1200x900 | 1161-1261 | 880-892 |
| 1200x1000 | 1161-1261 | 980-992 |
| 1300x800 | 1261-1361 | 780-792 |
| 1300x900 | 1261-1361 | 880-892 |
| 1300x1000 | 1261-1361 | 980-992 |

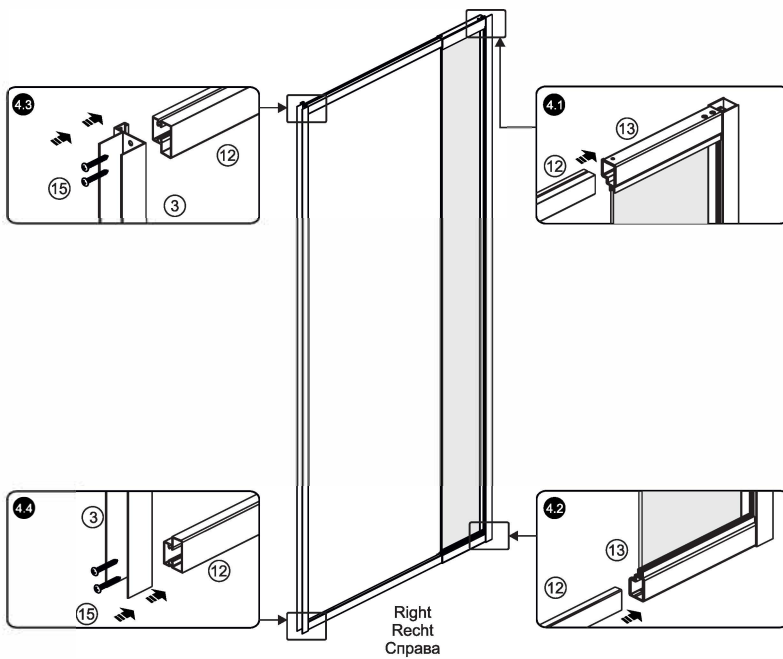
2



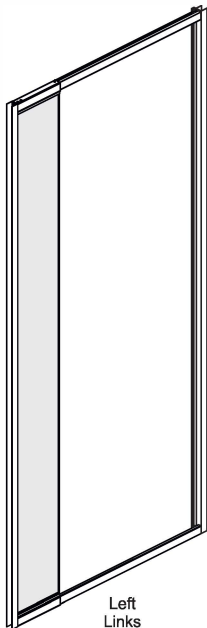
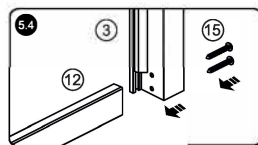
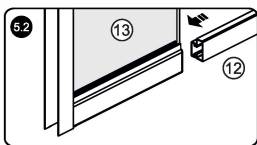
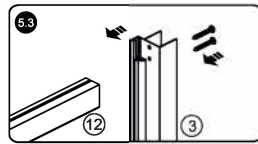
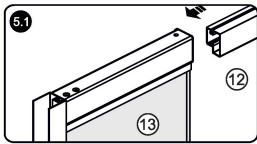
3



4

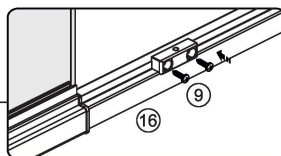
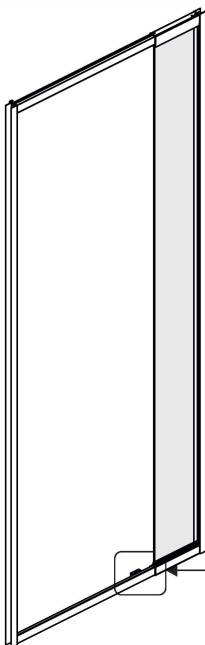


5

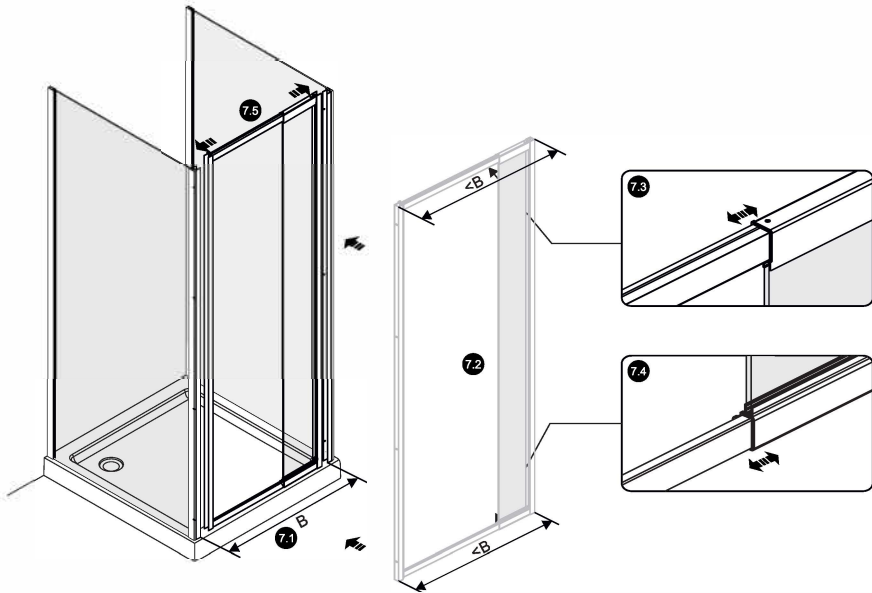


Left
Links
Слева

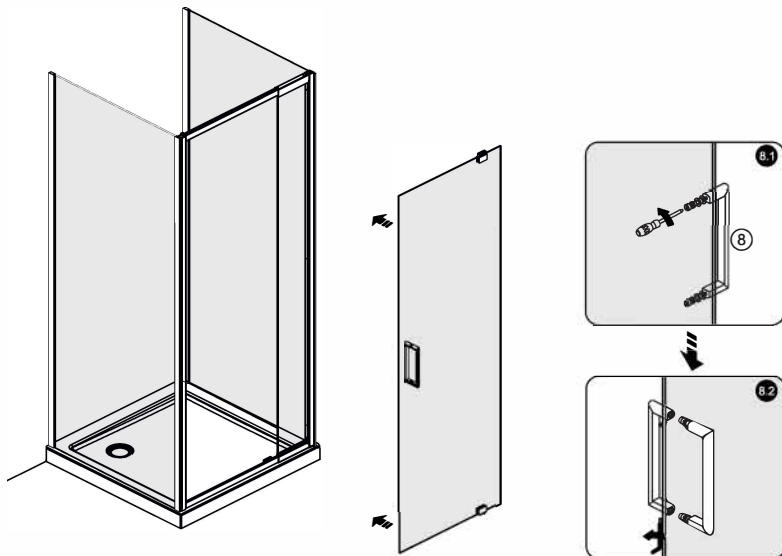
6



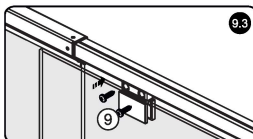
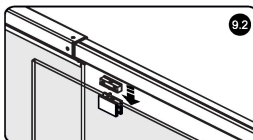
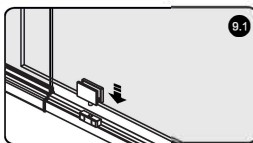
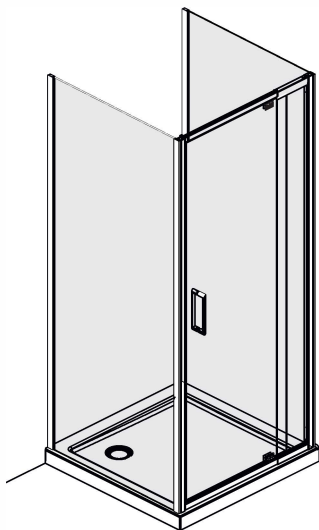
7



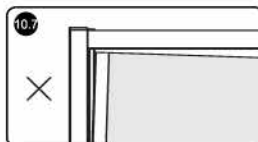
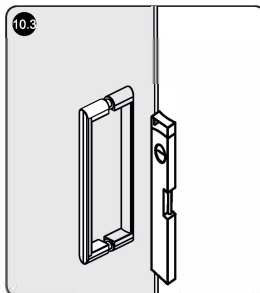
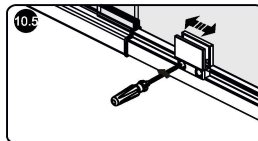
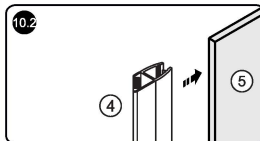
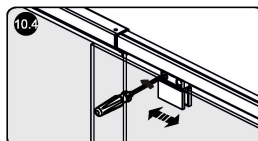
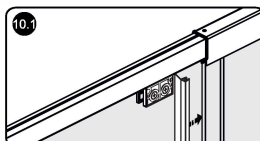
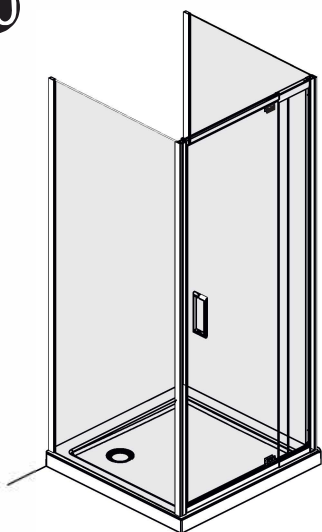
8



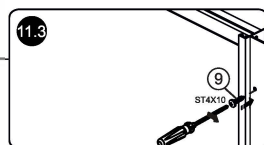
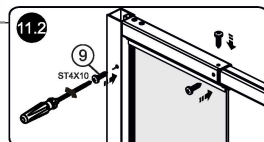
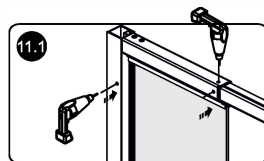
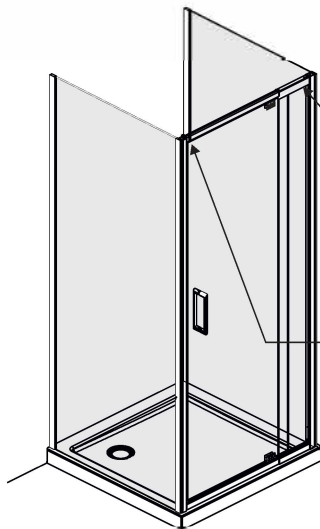
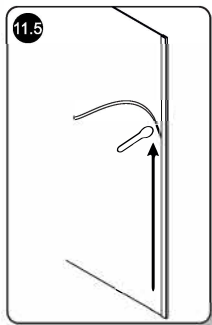
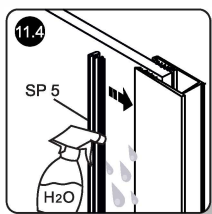
9



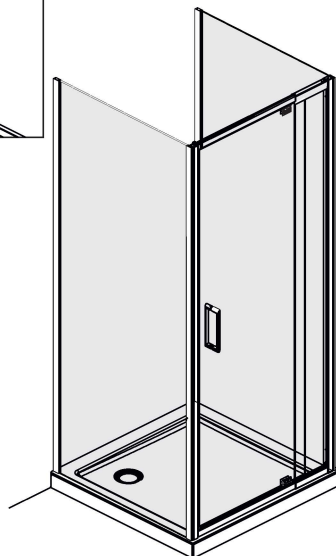
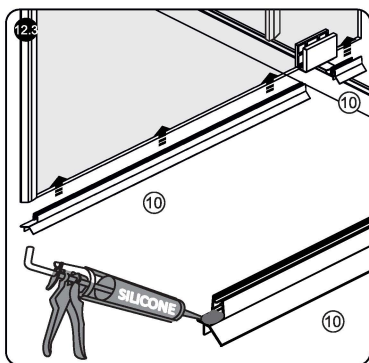
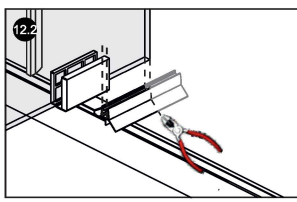
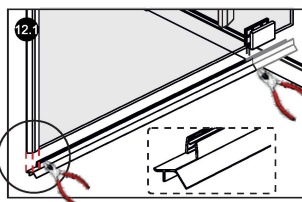
10



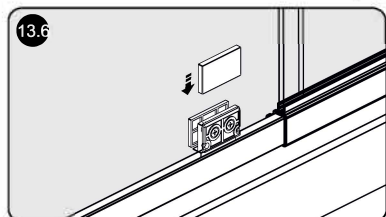
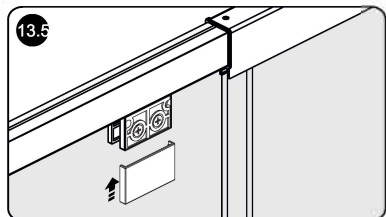
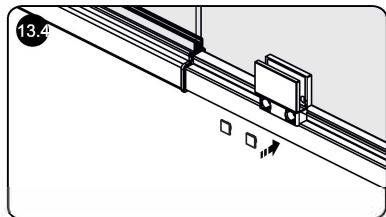
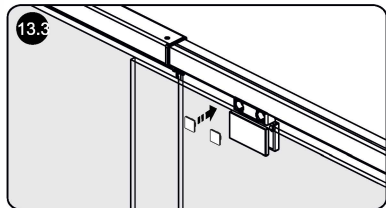
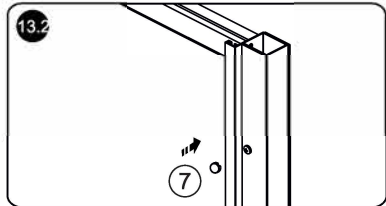
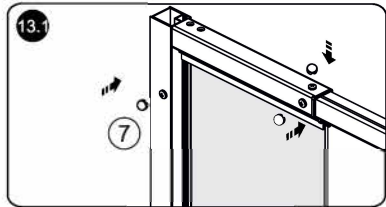
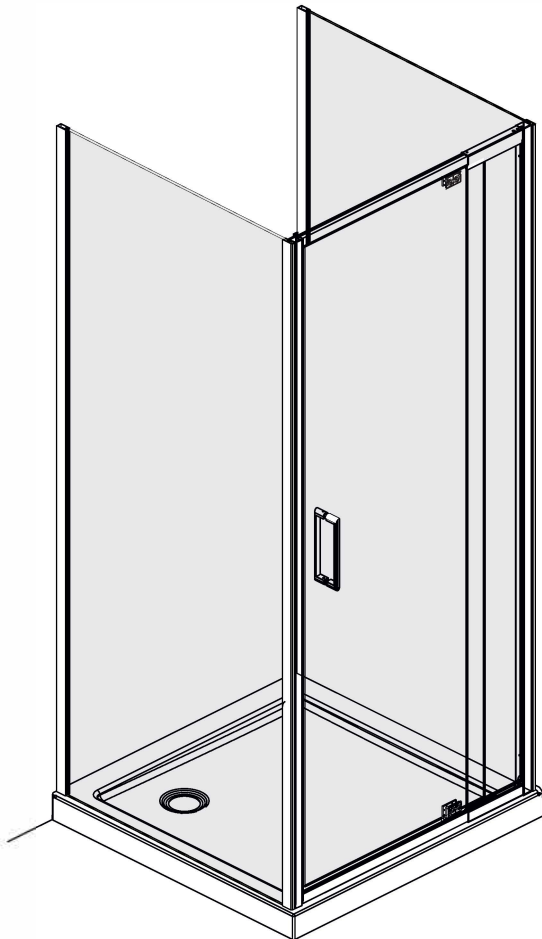
11



12



13



14

